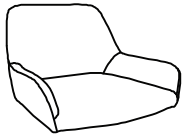


# Daniella Counter Stool

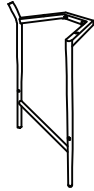
Part # B24-DNLA XXXX

19-0103

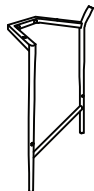
**PARTS**



A



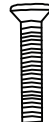
B



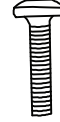
C



x2  
D



x4  
E



x6  
F

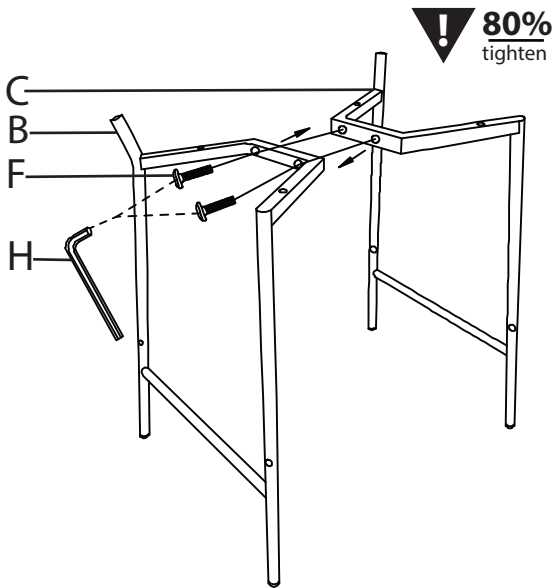


x4  
G



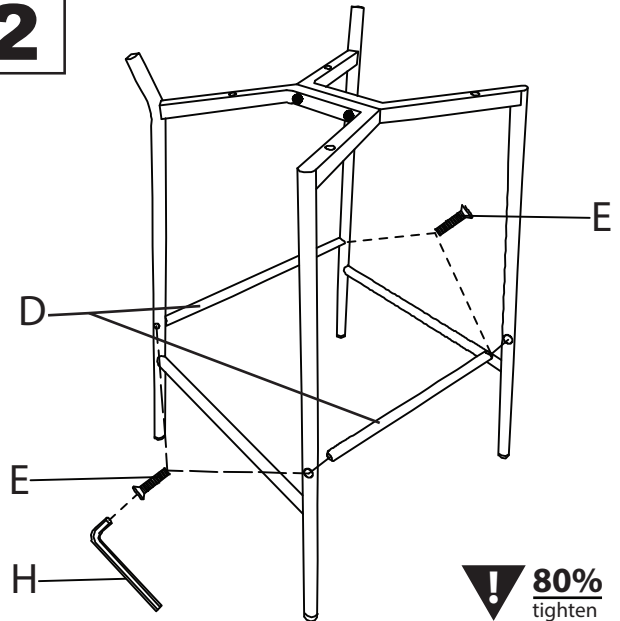
x1  
H

**1**



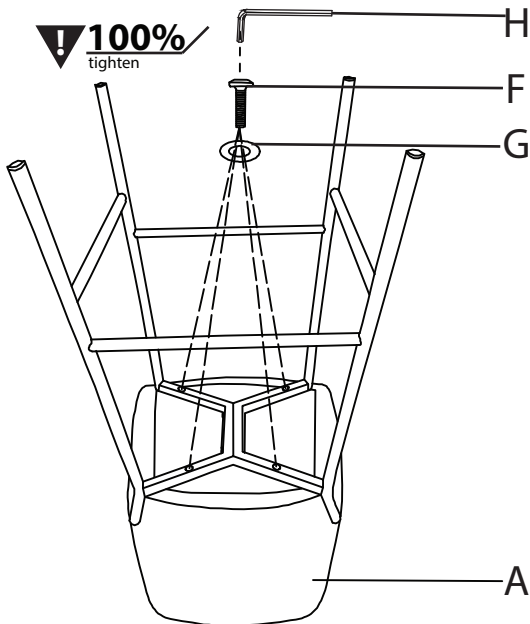
! 80%  
tighten

**2**



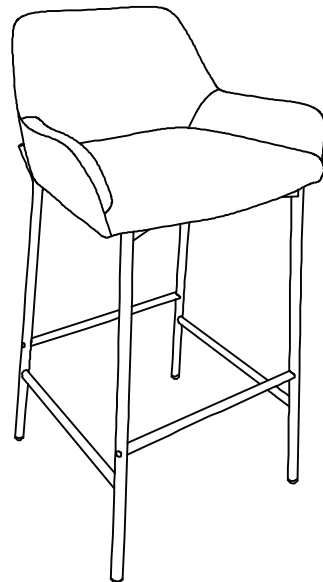
! 80%  
tighten

**3**



! 100%  
tighten

**4**



Do not over tighten.  
 Do not use power tools to assemble.